



**CLEMCO**  
The Performance  
System

## TECHNICAL DATA SHEET

*Note: For safe, efficient blasting, read and follow the owner's manual and seek training for everyone who will use this equipment.*

### Purpose

The Apollo Ambient Air Pump conveys breathing air from a clean environment outside the work area to a low-pressure type CE supplied-air respirator worn by an operator inside the blast environment or work zone. The oil-less pump moves the air from a clean-air environment to the respirator without introducing oil, carbon monoxide, or other contaminants.

### Requirements for Operation

The following items are required for operation, but are not included with this equipment:

- Electric power supply — 110-115 volt, 60 cycle, 14 amp
- NIOSH-approved low-pressure, type CE-supplied-air respirator approved to operate at 10 psi or less, suitable for the application
- Appropriate approved respirator hose
- Output from the ambient air pump must meet the standard for Grade D breathing air, as defined by the Compressed Gas Association, Commodity Specification: G-7.1 ([www.cganet.com](http://www.cganet.com))

### Description of Operation

The Apollo Ambient Air Pump must be placed outside of the blast environment in an area free of airborne contaminants. These potential contaminants include, but are not limited to, the following — fumes from paints and solvents, exhausts from vehicles and compressors, smoke from burn barrels, and dust from abrasive blasting or other construction activities.

The ambient air pump moves air from a clean location to the inside of the low-pressure respirator. To increase its effective range, the ambient air pump can be connected to an optional remote inlet kit — which allows the air inlet to be

## Description

The Apollo Ambient Air Pump, model CAP-1, is a cost-effective alternative to a breathing-air compressor. It provides an oil-free air supply for low-pressure, type CE, supplied-air respirators used for abrasive blasting or for any NIOSH-approved continuous flow hood or helmet-style respirator approved to operate at 10 psi or less. [Note: Clemco offers 4-operator model, CAP-4, Stock No. 22384 or 22530. See data sheet No. 21999.]



located up to 100 feet from the pump or up to 200 feet from the operator.

An optional elevated air inlet raises the inlet three feet above the pump.

Before blasting begins, and before putting on the respirator, the operator connects the respirator hose to the ambient pump and to the fixed-orifice air inlet at the respirator. The operator turns on the pump, adjusts the pressure, and checks for leaks, then puts on the respirator in a clean environment.

After blasting, the operator keeps the respirator on and connected until he or she reaches an area free of airborne dust and contamination.

The air connection uses a special quick-connect fitting that allows air to flow, even when not connected to the respirator. This keeps hazardous dust or other contaminants from entering the hose at the connection point.

# Apollo Ambient Air Pump Model CAP-1

**Stock No. 22383**

### Advantages

- Eliminates expense of breathing air compressor
- Eliminates danger of carbon monoxide poisoning caused when high temperatures break down a compressor's lubricants
- Requires no temperature alarms or additional air line filters
- Works with Clemco's CO Monitor Alarm (when specifications call for air monitoring)
- Hand portable
- Easy to operate and maintain
- Can be used as air source for other respirators that operate at 9 cfm at 10 psi

### Approvals and Certification

UL listed, CSA approved.

## Related Clemco Literature

Contractor Series Catalog .....	21385
Abrasive Blast Safety Practices .....	22090
Blast Off 2 .....	09294
Apollo Safety System Product Study .....	07764

## Options and Accessories

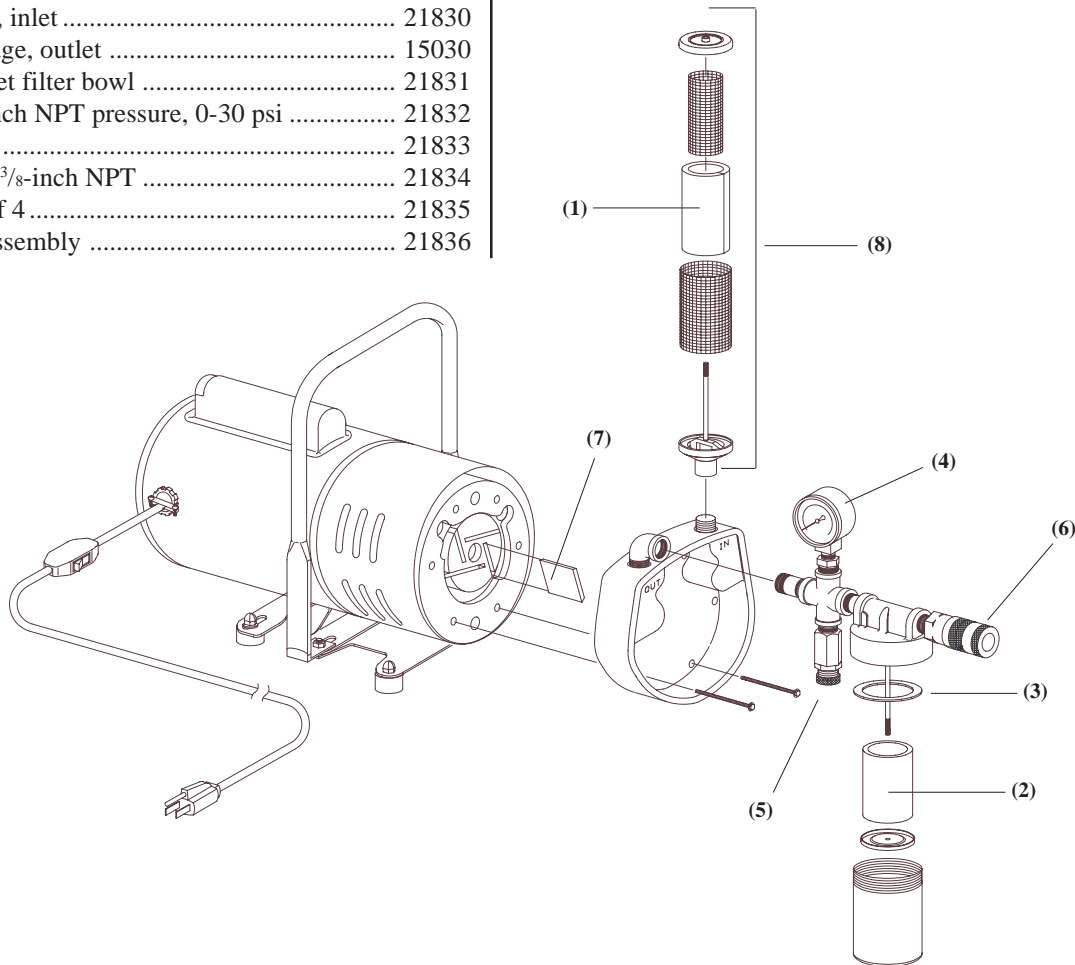
Apollo 20 LP with hose .....	21423
Apollo 60 LP with hose .....	22082
Remote Air Inlet (50 ft) .....	21837
Remote Air Extension (50 ft) .....	21838
Elevated Air Inlet Kit .....	21839

## Replacement Parts

Item	Description	Stock No.
1.	Filter media, inlet .....	21830
2.	Filter cartridge, outlet .....	15030
3.	Gasket, outlet filter bowl .....	21831
4.	Gauge, 1/4-inch NPT pressure, 0-30 psi .....	21832
5.	Relief valve .....	21833
6.	Disconnect, 3/8-inch NPT .....	21834
7.	Vanes, set of 4 .....	21835
8.	Inlet filter assembly .....	21836

## Specifications

- Air flow output: 9 cfm at 10 psi
- 3/4 hp thermally protected 110/115-volt motor
- Oil-free air pump with 3/8-inch NPT inlet and outlet
- Adjustable pressure-relief valve
- Pressure gauge
- Inlet Filter: Multi-layer disposable cloth element with wire inner and outer support
- Outlet Filter: activated charcoal



## Weights and Dimensions

Dimensions	Unit	Shipping
Height:	22 1/2"	30 1/2"
Width (dia.):	8"	16 1/2"
Depth:	12"	20 1/2"
Weight:	53 lb	65 lb

Authorized Distributor:

ISO 9001-2000 certified. Clemco is committed to continuous product improvement. Specifications are subject to change without notice.

© 2004 Clemco Industries Corp. • One Cable Car Drive • Washington, MO 63090 • Phone (636) 239-4300 • Fax (636) 239-0788

Stock No. 21998

www.clemcoindustries.com

Job No. 1195-1295 • Date of Issue: 06/98, Rev. B; 08/04